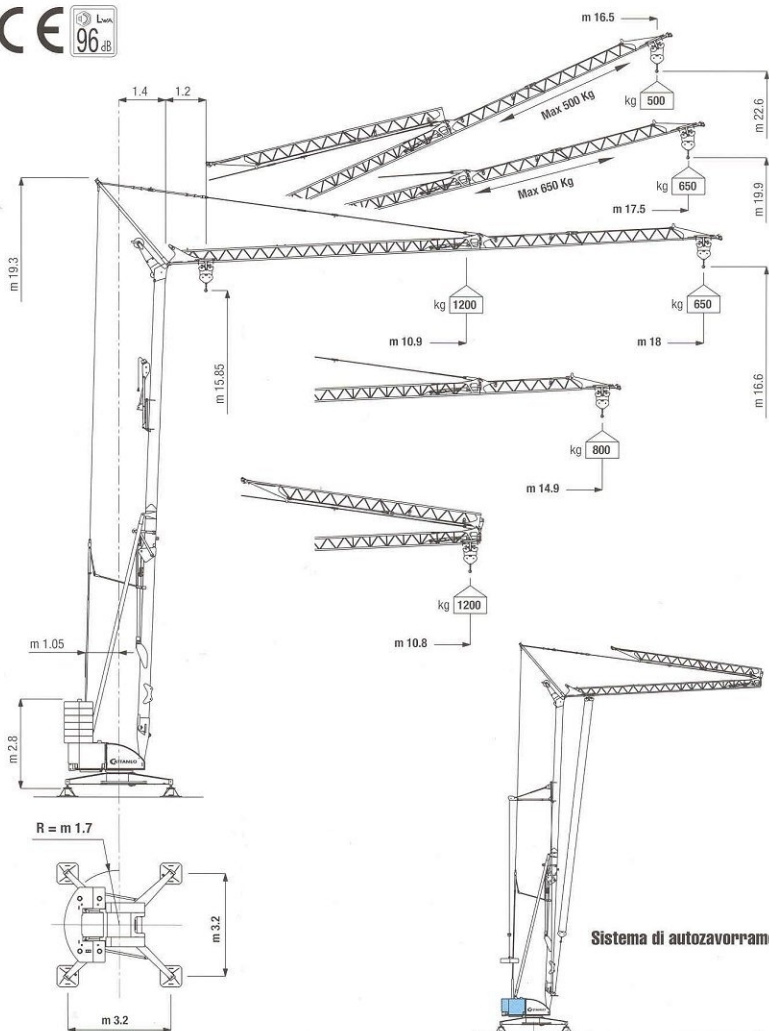


CM 61S2



Curve di carico Load diagrams Courbes de charge Lastkurven Curvas de cargas	kg	1200	1150	1100	1050	1000	950	900	850	800	750	700	650
	m	10.9	11.2	11.6	12.0	12.6	13.1	13.7	14.5	15.1	16.0	16.9	18.0
	m	10.8	11.1	11.5	11.9	12.4	13.0	13.6	14.2	14.9			