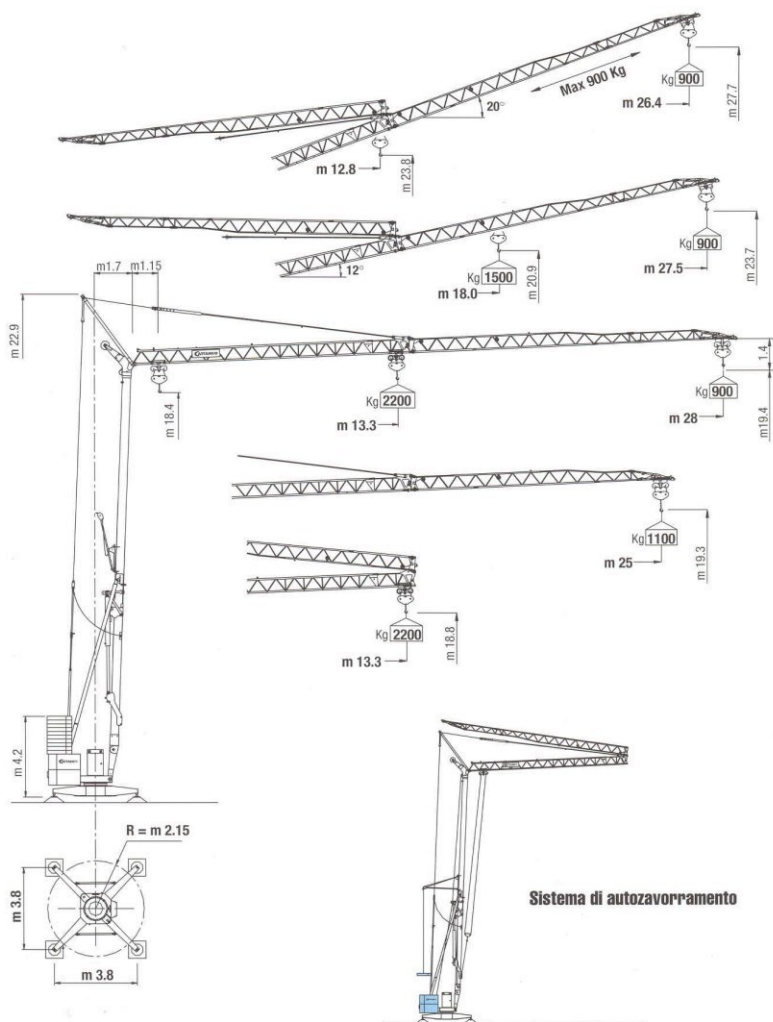


CM 78A



Curve di carico	kg	2200	2000	1800	1600	1500	1400	1200	1100	1000	900
Lead diagrams	m	13.3	14.4	15.8	17.4	18.3	19.4	22.1	23.7	25.7	28.0
Courbes de charge	m	14.0	15.2	16.6	18.3	19.3	20.4	23.2	25.0		
Lastkurven	m					18.0	19.0	21.6	23.2	25.1	27.5
Curvas de cargas	m										

